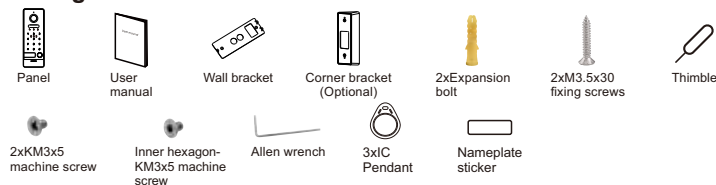


Specifications

Apartments Max.	1
Operation system	Embedded linux operation system
Angle of view	H:120°, V:71°
Video compression standard	H.265 (default), H.264
Noise reduction	3D noise reduction
Supplement light	IR supplement
Video frame rate	Main stream: 1920x1080p, 720p, Sub stream: 640x360
Audio intercom mode	Full duplex
Gate	NO (MAX AC/DC30V 4A)
Lock control	NO/NC (MAX AC/DC30V 4A)
Tamper alarm	Support
Connection	2 wire BUS
RFID	13.56MHZ
	Mifare
	Supports ISO/IEC 14443 type A 106kb/s
	Number of cards supported: 100 Card reading distance: ≤2cm
Protection grade	IK07; IP66
Power supply	18-36V
Power consumption	≤3.5W (Standby), ≤6W (Working)
Working temperature	-40°C to +60°C (-22°F to +140°F)
Working humidity	10%RH– 90%RH (non-condensing)
Product size	154x55x21mm

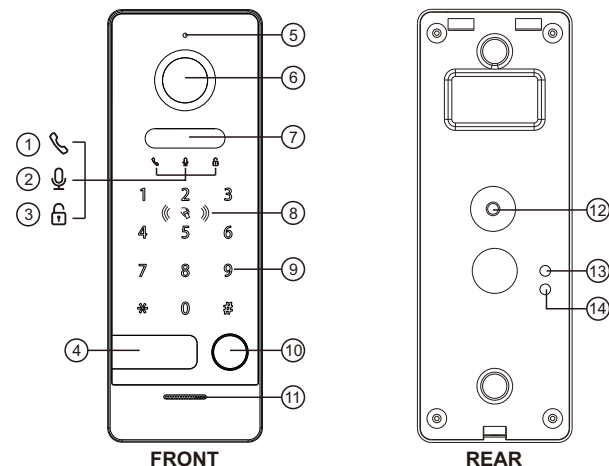
Package contents



Note

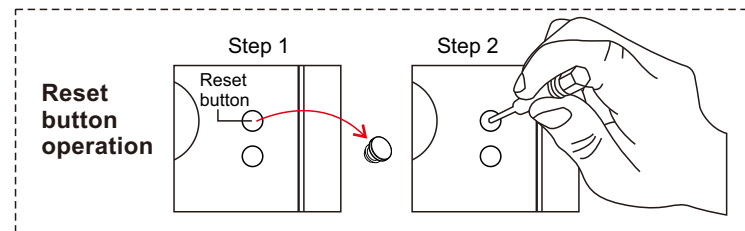
- Thank you for purchasing our products.
- The products are subject to change without prior notice.
- The company is not responsible for any safety accidents caused by abnormal operation of the product.
- Please carefully read this User's Guide (in particular, precautions for safety) before using a product and follow instructions to use a product exactly.
- The Guide is for reference only. If there is inconsistency between the Guide and the actual product, the actual product shall prevail.

Product Information

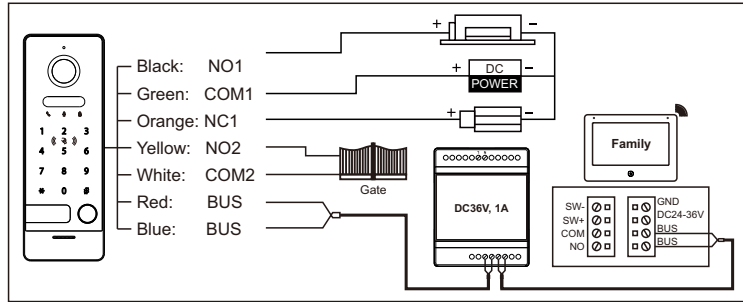


- ① Call indicator
- ② Talk indicator
- ③ Unlock indicator
- ④ Nameplate
- ⑤ Microphone
- ⑥ Camera
- ⑦ Night vision
- ⑧ Swipe zone
- ⑨ Touch buttons
- ⑩ Call button
- ⑪ Speaker
- ⑫ Connector wire
- ⑬ Reset button
- ⑭ Anti-tamper button

Note: Long press the RESET button for 5 seconds to unbind user. After unbinding, the button light will flash 3 times.



Wiring diagram



Swiping card and password setting

1. Registering master card

For the first time to use, the digital button backlight keeps blink and the loudspeaker keeps beep sound. When you swipe a IC card, there will be a beep sound at the same time, then this card is successfully authorized as a master card. (Master card can not be swiped to open the lock.)

2. Registering user cards

- Swipe master card 1 time, then swipe another IC card, which will be added as an user card. Continue to swipe other IC cards in sequence can add more user cards. Swipe an added user card again to exit the setting mode when you finished operation. The door station will exit from setting mode automatically when there is no operation in 30 seconds.
- Up to 100 user cards can be registered by the door station. Card reading distance should be $\leq 2\text{cm}$. The master card is necessary when you add or delete user cards. Please keep it well for future use.

3. Deleting master and user cards

- Swipe the master card 4 times in a row, all user cards and the master card will be deleted, digital button backlight will keep blink and loudspeaker keeps beep sound again.
- If the master card is lost, shortly press "RESET" button in the rear side can also delete the master card and all user cards.

4. Password operations

The default management password: 000000. The default unlock password: 123456

a. Changing management password:

Example: Set 888888 as your management password.

- Input * + default password 000000 + # to enter setting mode.
- Continuous input *888888# in twice, the management password will be changed.

b. Changing user unlock password:

Example: Set 666666 as your unlock password.

- Input * + your management number + # to enter setting mode.
- Continuous input 666666# in twice, the unlock password will be changed.

5. Door lock opening (Refer to this if you connect with a door lock.)

- Password unlock:** Example: If the unlock password is 123456, input 123456#, then the unlock indicator will light on and the door lock will be opened.
- Swiping card unlock:** In the standby state, swipe a user card, then the unlock indicator will light on and the door lock will be opened.

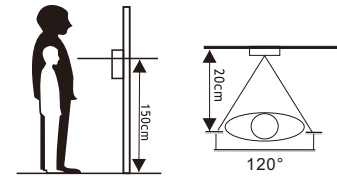
6. Gate unlock (Refer to this if you connect with a gate lock.)

- Password unlock:** Example: If the unlock password is 123456, input 123456*, then the unlock indicator will light on and the gate will be opened.
- Swiping card unlock:** In the standby state, input * and then swipe a user card, then the unlock indicator will light on and the gate will be opened.

Remarks:

- In standby state, you can't input order until the second touch. When you touch the digital button at the first time, you can only make its backlight lights on.
- The default unlock time for a lock is 5 seconds, for a gate is 0.2 seconds.

Doorbell installation



- Please select the most suitable doorbell position, avoid direct sunshine to camera, dark surroundings, rain.
- Determine doorbell installation height: suggest to be 1.5~1.6meters.

Surface mounted directly

- Dig a hole at the suitable height on the wall.
- Disassemble bracket from the outdoor panel.
- Fix the bracket on the wall with screws and expansion bolts.
- Make the cables through the wall & bracket to connect to the doorbell connector wire.
- Put the outdoor panel onto the bracket, and fix it with the screw on the bottom.

Remark: Apply silica gel to gaps between the device and the wall. Liquid sodium silicate is recommended.

